

STAR MINI

KITCHEN MIXER

www.eosbathware.com.au



- STMI106
- 25mm cartridge
- 15-year cartridge replacement
- 10-year product replacement
- 1-year labour and parts WELS
- 4 star; 6.5L per minute
- Reg #T17373

- Product should be inspected prior to installation for surface damages.
- Clean with soapy water or a mild detergent and a soft cloth and rinse with warm water.
- All plumbing fittings should be installed by a qualified plumber in accordance with state laws.

AVAILABLE COLOURS: Polished Chrome PC

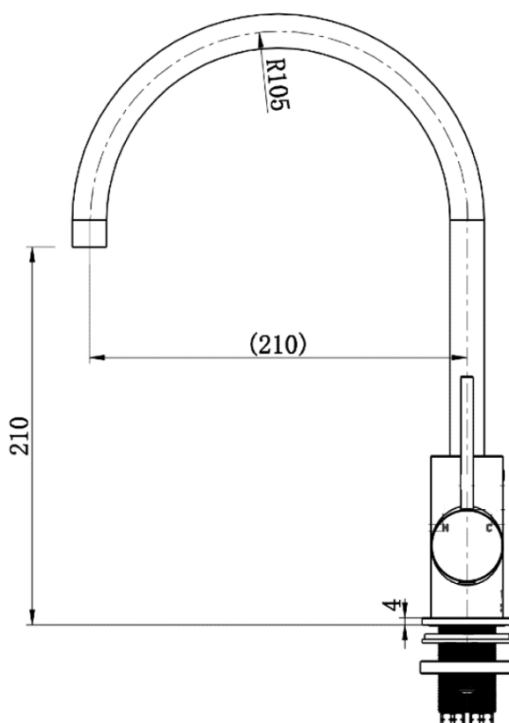
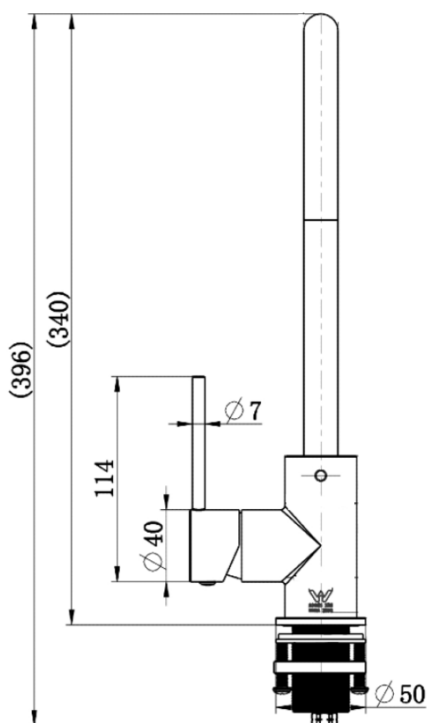
Matte Black MB

Brushed Nickel BN

Gunmetal GM

Brushed Brass BB

Champagne CH



Please note:

Dimensions are approximate. Information provided in this installation guide is representative of the actual product available at the time of printing. Due to our policy of continuous product development the design and specifications depicted are subject to change without notice. Please confirm all particulars with your sales consultant prior to purchase.



Modern National