

# VEGA

www.eosbathware.com.au

## INTEGRATED SHOWER RAIL

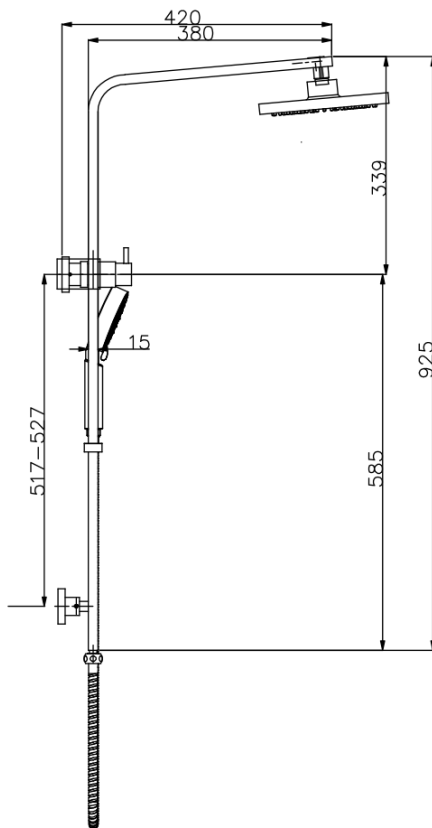


- VESR250R
- Round shower head
- Round hand shower
- 10-year warranty

### WELS

- 4 star
- 7.5L per minute

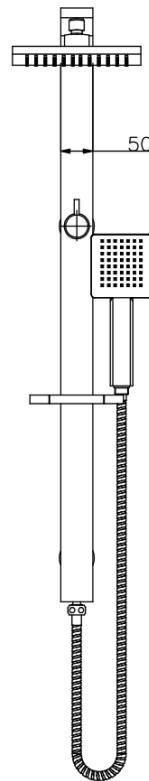
- Product should be inspected prior to installation for surface damages.
- Clean with soapy water or a mild detergent and a soft cloth and rinse with warm water.
- All plumbing fitting should be installed by a qualified plumber in accordance with state laws.



Available colours:

Polished  
Chrome

Matte  
Black



### Please note:

Dimensions are approximate. Information provided in this installation guide is representative of the actual product available at the time of printing. Due to our policy of continuous product development the design and specifications depicted are subject to change without notice. Please confirm all particulars with your sales consultant prior to purchase.

**schalke**